



LAKEWOOD INDUSTRIAL PARK  
 1930 SWARTHMORE AVENUE  
 LAKEWOOD, NJ 08701  
 TEL: (732) 886.6000  
 FAX: (732) 886.0911

P.O. #: \_\_\_\_\_

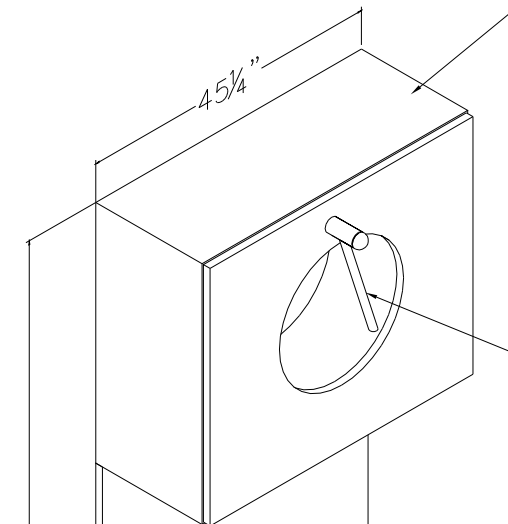
LOCATION: \_\_\_\_\_

ADDRESS: \_\_\_\_\_

PHONE #: \_\_\_\_\_

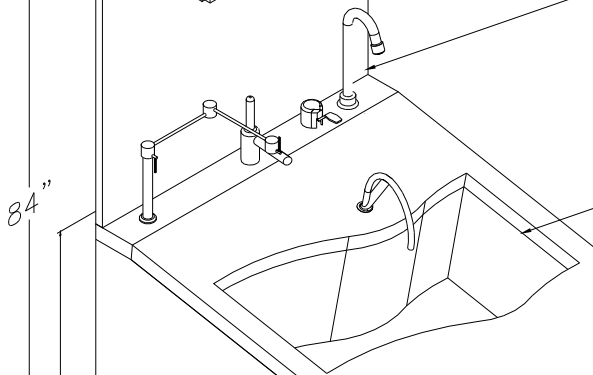
<b>CONTACTS APPROVAL</b>	
APPROVED BY:	_____
SIGNATURE:	_____
DATE:	_____

**\*\*STANDARD ELKAY COLOR FOR CASEWORK:  
 PANVAL 262 (SUNRISE MAPLE)  
 OTHER COLOR MUST BE SPECIFIED ON DRAWING.  
 THERE WILL BE AN ADDITIONAL FEE FOR COLOR CHANGE**



WALL SINK MODEL #: \_\_\_\_\_

FAUCET MODEL #: \_\_\_\_\_  
 PLEASE MARK LOCATION ON PLAN

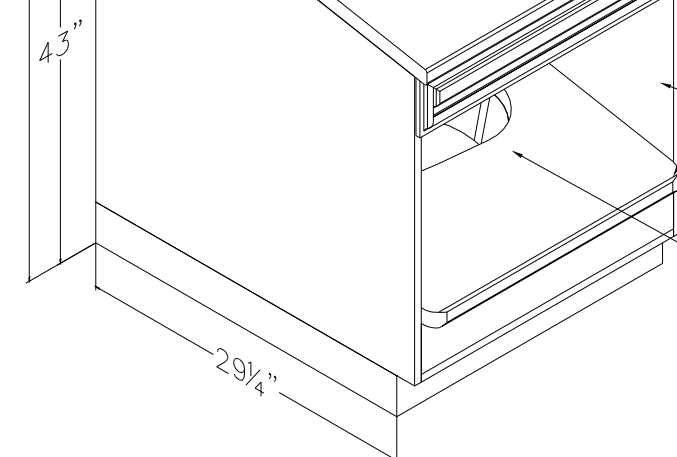


COUNTER SINK MODEL #: \_\_\_\_\_  
 MAXIMUM WIDTH OF SINK 34 1/4"  
 MAXIMUM DEPTH OF SINK 10"

**\*\*STANDARD ELKAY COLOR FOR TOPS:  
 WILSONART 4584-07 (BRAZILIAN TOPAZ)  
 OTHER COLOR MUST BE SPECIFIED ON DRAWING.  
 THERE WILL BE AN ADDITIONAL FEE FOR COLOR CHANGE**

**\*\*STANDARD ELKAY COLOR FOR CASEWORK:  
 PANVAL 262 (SUNRISE MAPLE)  
 OTHER COLOR MUST BE SPECIFIED ON DRAWING.  
 THERE WILL BE AN ADDITIONAL FEE FOR COLOR CHANGE**

DRAWER SINK MODEL NUMBER: \_\_\_\_\_  
 MAXIMUM WIDTH OF SINK 33"  
 MAXIMUM DEPTH OF SINK 10"



**1** 45" NO DRAWER DISPLAY UNIT  
 c.2 NOT TO SCALE

**ELKAY**  
 PROJECT: SINK DISPLAY  
 (NO DRAWER UNIT)  
 DRAWING #: 1624-1

**DIRECTIONS:**

Legibly fill in the following:

1. Purchase Order
2. Location
3. Address
4. Phone #
5. Wall Sink Model #
6. Faucet Model #
7. Counter Sink Model #
8. Drawer Sink Model #

Please fax completed sheets to (732) 886.0911